

ARIC PISTOL PLATE INSTALLATION INSTRUCTIONS



- For use with the Law Tactical AR Internal Carrier (not included)
- Eliminates need for a buffer tube, standard receiver end plate, and castle nut
- Integrated QD Sling attachment points



WWW.LAWTACTICAL.COM

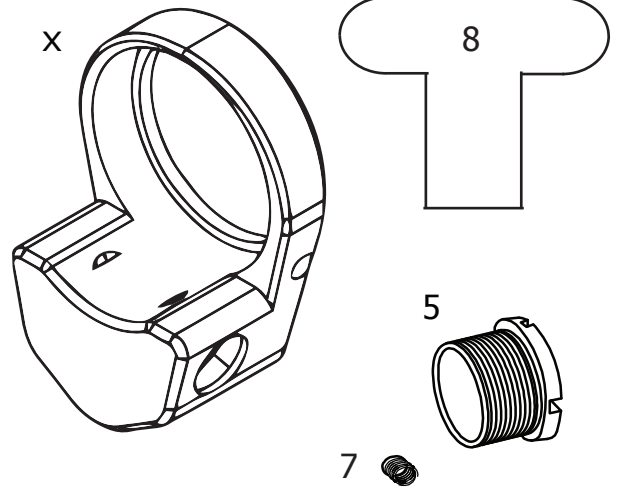
SEE WARNINGS
BEFORE INSTALLATION



PARTS LIST:

X: ARIC PISTOL PLATE
5: Threaded Flange

7: Side Set Screw
8: Flange Tool



Part numbers correspond to matching components of the AR Folding Stock Adapter parts list.

For replacement parts or technical assistance
contact Law Tactical LLC

267-209-0529

aric@lawtactical.com

*** WARNINGS ***

CAUTION: Ensure the firearm is CLEAR/UNLOADED, consult firearms manual for these procedures. Parts under tension, use Eye Protection during handling.

- If firearms are carelessly or improperly handled, unintentional discharge may result and could cause injury, death, or damage.
- As with any firearm if the barrel is very hot from firing there is a risk of COOK-OFF (where a round in the chamber is discharged from the heat of the chamber and barrel). Do not leave a round in the chamber of a hot firearm.
- Do not attempt to fire if water is in the barrel. Open the action, shake and allow water to drain.
- Do not use under the influence of alcohol or other drugs that may impair judgement or coordination.
- **Caution:** Use only factory ammunition designed for the firearm. The use of steel case ammunition is not recommended. Caution: Read this manual, and the manual of the host firearm from cover to cover and follow procedures.
- **Caution:** Always wear Eye and Ear Protection when shooting.
- **Caution:** Wear Eye Protection during assembly and disassembly due to objects under spring tension.

Consult your Owner's Manual for any questions on the safe operation of the host firearm.

**ENSURE THE FIREARM IS UNLOADED
BEFORE INSTALLATION**

**When firing a pistol with no stock, brace, or
other rear support, ensure a firm grip on the firearm.**

UNFOLD FOR INSTALLATION INSTRUCTIONS

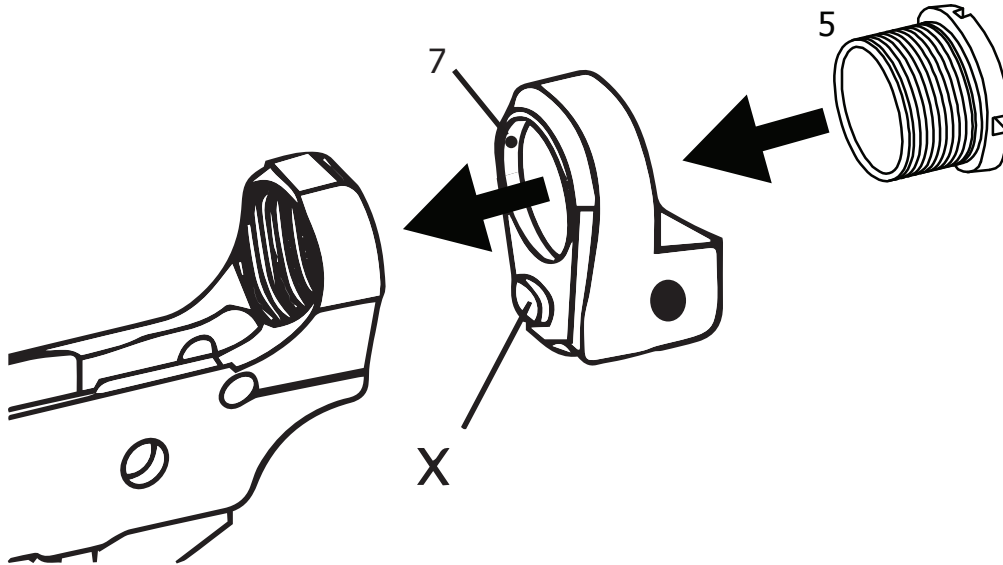
CAUTION: Ensure the firearm is CLEAR/UNLOADED, consult firearms manual for these procedures. Parts under tension, use Eye Protection during handling.

BEFORE INSTALLATION:

Remove the buffer and action spring from the buffer tube, then remove the buffer tube (receiver extension) from the receiver. When removing the buffer tube from the receiver, use care not to lose the takedown pin spring and detent. They should remain installed in the lower receiver. For detailed information on removing the recoil assembly from the receiver, refer to the firearm's manual or the US Army Maintenance Manual.

INSTALLATION:

1. Place ARIC Pistol Plate (APP) onto the rear of the receiver of the firearm. Place it over the take-down pin spring, aligning the protrusion of the APP (X) with the index indentation on the receiver as you would with an A2 style stock or Carbine/Pistol End Plate. See figure below.



2. While holding the APP in place, screw the Threaded Flange (5) into the receiver of the firearm as you would a buffer tube. The four cut-outs on the flange are designed so that the included Flange Tool (8) can be used to tighten the Threaded Flange (5) into the receiver. When the Flange Tool (8) starts to flex, proper torque has been applied.
3. With the APP tightly installed on the receiver, using a 3/32 Allen Wrench, tighten Flange Set Screw (7) to secure the Threaded Flange. Make snug but do not over tighten.

4. Tail Cup Fitment:

Remove Tail Cup (1) from ARIC assembly. Test fit into Lower Receiver through Threaded Flange (5). Ensure Cup seats against the lower and moves freely inside the flange. If it does not move freely, loosen the Side Set Screw (3/32") on the APP (X).

(See Cup Fitment Video - QR Code to the right)

NOTE: Video shows the Cup Fitment with a Law Tactical Folding Stock Adapter installed. The process is the same for the APP or the Folding Stock Adapter.



CUP FITMENT

5. Lubricate ARIC:

Lubricate ARIC before assembly into the Upper Receiver. ARIC has more lubrication points than a standard BCG.

(Lubrication Video)

NOTE: Video shows lubrication with a Law Tactical Folding Stock Adapter installed. The process to lubricate and check for proper lubrication of the ARIC is the same for the APP or the Folding Stock Adapter.



LUBRICATION

If you have any questions please contact Law Tactical

267-209-0529

aric@lawtactical.com